

WINE SPITTOONS

Features & Benefits

Fabricated in Australia
Stylish Design
With or without integrated
flushing Rim
Easy to Install

Product Information

Superior Stainless
fabricated Wine Spittoons
are manufactured from
1.2mm 316 grade
stainless steel

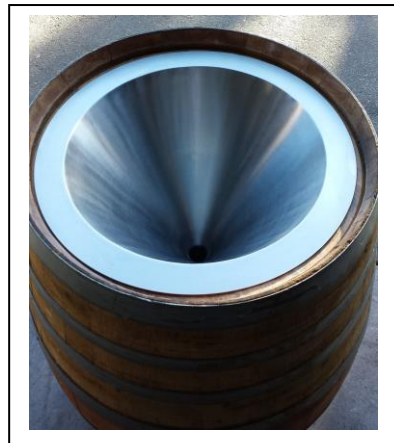
Options

Wine Spittoons can be
made to suit most
applications
Superior Stainless custom
design and can fabricate
to a drawing, bench cut
out size, a template or a
specific application

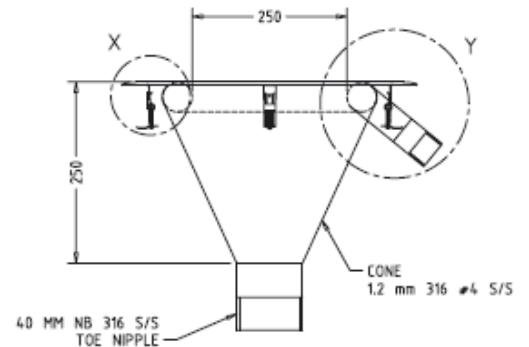
Square Wine Spittoon with or without Flushing Ring



Round Wine Spittoon with no Flushing Ring to fit into a Wine Barrel



Standard Wine Spittoon with Flushing Ring



Superior Stainless Australia

1/23 Pentland Road, Salisbury South, SA 5106

Tel: 08 82503583 Fax: 08 8258 1583

www.superiorsa.com.au

info@superiorsa.com.au

